

## Stückliste Android-Data-Interface

C1	= 10n
C2	= 4.7 $\mu$
C3	= 4.7 $\mu$
C4	= 10 $\mu$
C5	= 220n
C6	= 220 $\mu$
C7	= 10n
C8	= 4.7 $\mu$
C9	= 10n
C10	= 10n
C11	= 4.7 $\mu$
C12	= 10n
D1	= 1N5819 (Ersatz 1N4148)
D2	= 1N5819 (Ersatz 1N4148)
Dr1	= 220 $\mu$ H
Dr2	= 220 $\mu$ H
Dr3	= 220 $\mu$ H
P1	= 10k
P2	= 10k
R1	= 39
R2	= 39
R3	= 4.7k
R4	= 100k
R5	= 47k
R6	= 22k
R7	= 1k
R8	= 22k
R9	= 100
R10	= 100
R11	= 1k
R12	= 1k
T1	= BC237 (jeder NPN)
T2	= BC237 (jeder NPN)

# Data-Interface for Tablets

**Gehäuse:**  
**Strapubox 72 x 50 x 26**  
**Universalgehäuse ABS Schwarz**  
**Conrad - Nr. 522635**  
**Platine 65x50mm**

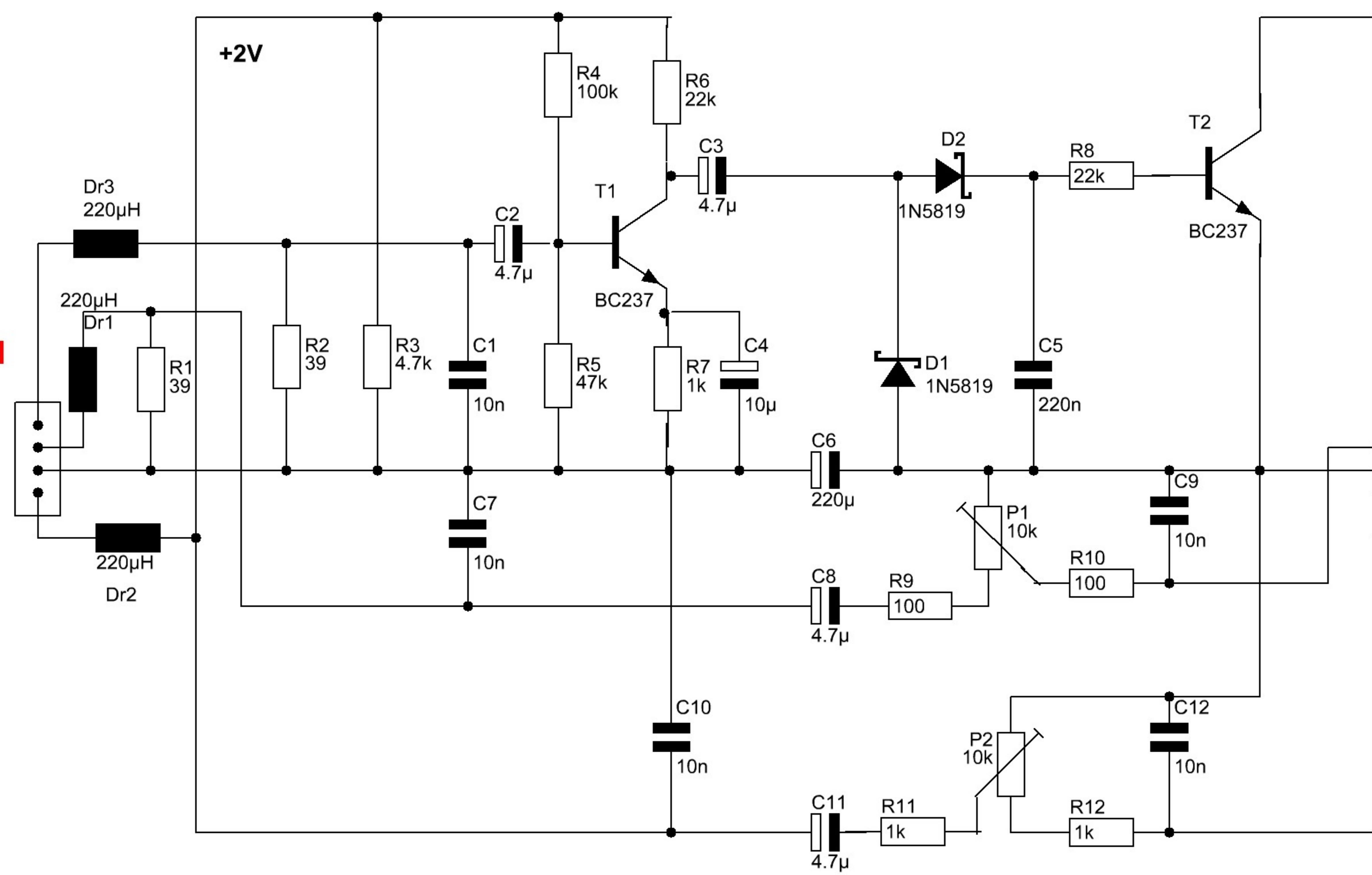
Following Software  
 I tested under Android :  
 DroidPSK  
 DroidRTTY  
 DroidNAVTEX  
 WeatherFax  
 AndPSKmail

Tested with  
 Samsung Note 10.1  
 HTC Desire S  
 iPad (old)  
 The Supply Voltage (Pin 4)  
 should be 1.5-3V

**Con1 to Smartphone/ Notepad**  
 make sure your device is  
 compatible with this  
 Pin-layout !!!

4- Pin 3.5mm Headset plug  
 (Pin 1 = Tip)  
 1 = Audio Out L (PTT)  
 2 = Audio Out R (Data)  
 3 = Ground I  
 4 = +Ub / Audio In (Mic)

Test Ear piece  
 from Pin3 to 1 ~ 40 ohm  
 from Pin3 to 2 ~ 40 ohm  
 from Pin3 to 4 ~ 500- 2000 ohm



**Con2 to the TRX-Connector**  
 1 = Audio/Data In (black)  
 2 = Gound II (Radio Gnd) (brown)  
 3 = PTT (red)  
 4 = Data out 9600 (orange)  
 5 = Audio /Data1200 Out (Yellow)  
 6= SQL (green)

Mini-DIN 6-pol (Conrad 601797)

Valid for FT-8x7 Yaesu Transceiver  
 for others pls check documentations

**I'm not liable for any damages!**  
**Useage on your personal risc**

D1 and D2 I used 1N4148, as no Schotty available  
 T1/T2 or similar NPN

Can be also uses with PC  
 but proper connector needed  
 2 x 3.5mm Stereo-Plug  
 Audio In / Audio Out

Änderungen		Datum	Name	Bezeichnung:	Blattzahl:
Datum	Name	gez.:	08.01.2014	<b>Data-Interface</b>	
31.01.2014	DL3KGS	gepr.:			Blatt-Nr.:
23.02.2014	DD7YB				
				Zeichnungs-Nr.:	
				<b>from Wavne, VK3WAM</b>	

Jan 2014

Data-Interface

DR3KES

